

TREATMENT PERFORMANCE RESULTS

Premier Tech Aqua Ltd.
Quartertown Industrial Estate, Mallow, Co. Cork, Ireland

EN 12566-3
Results corresponding to EN 12566-3 and S.R. 66

PIA-SR66-1706-1052

SOLIDO Smart
One chamber SBR in PE tanks

Nominal organic daily load	0.30 kg/d		
Nominal hydraulic daily load	0.90 m ³ /d		
Material	Polyethylene		
Watertightness	Pass		
Structural behaviour (Pit Test)	Pass (also wet conditions)		
Durability	Pass		
Treatment efficiency (nominal sequences)		Efficiency	Effluent
		COD	95.1 % 39 mg/l
		BOD ₅	98.5 % 5 mg/l
		NH ₄ -N	98.0 % 0.7 mg/l
		SS	97.1 % 13 mg/l
Number of desludging	Not more than once		
Electrical consumption	0.81 kWh/d		

Performance tested by:

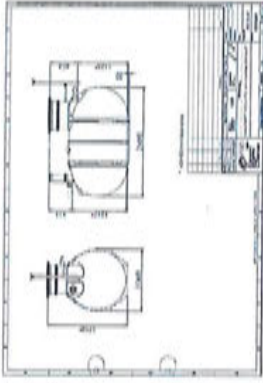
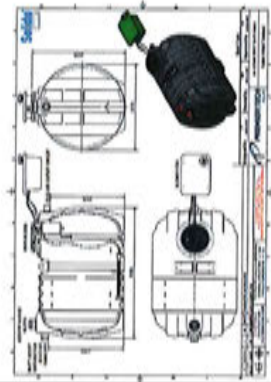
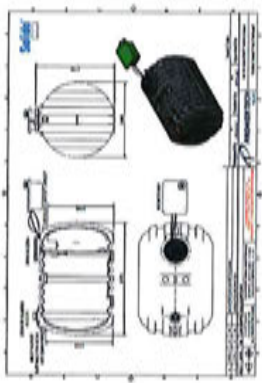
PIA – Prüfinstitut für Abwassertechnik GmbH
CERTIPRO – Service de certification et de contrôle, Vito
CSTB – Centre Scientifique et technique du Batiment

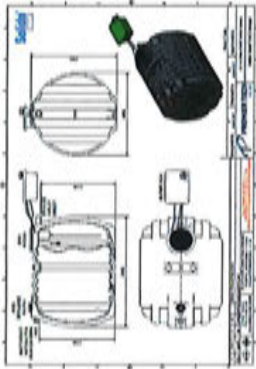
This document replaces neither the declaration
of performance nor the CE marking.

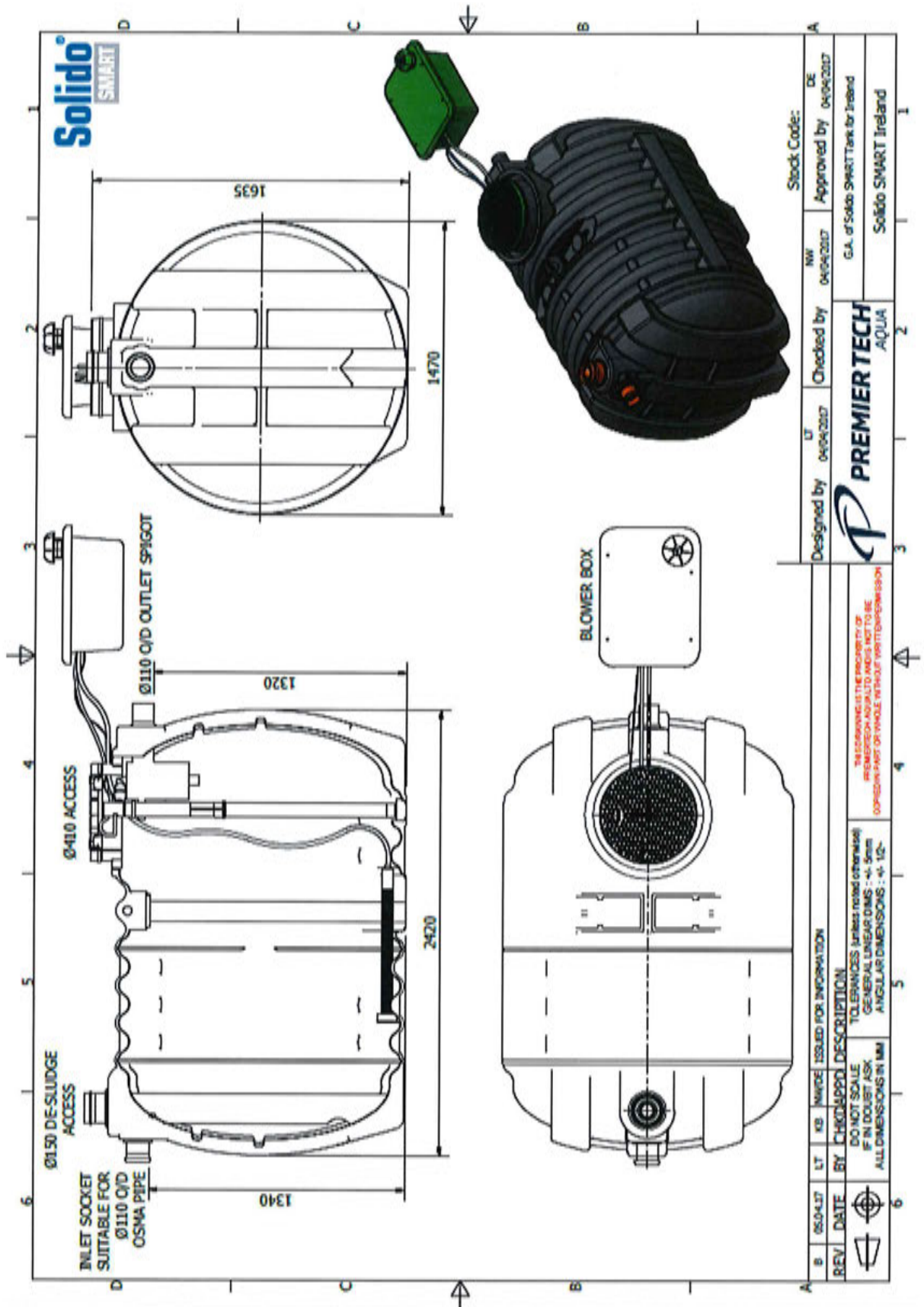



Prüfinstitut für Abwassertechnik GmbH
geprüft - tested - testé
Elmar Lancé July 2017

Solido Smart range and its referring test reports:

Population equivalent (PE)	Drawing of model of the range	Watertightness (EN 12566-3 Annex A)	Treatment Efficiency (EN 12566-3 Annex B)	Structural Behaviour (EN 12566-3 Annex C)	Durability
Initial Type Test (ITT) 6		Pass PIA2007-WD-003	Pass PIA2015-239B22.e	Pass PIA2015-ST-PIT-1406-1043.01 For wet ground conditions also, 0.95 m installation depth from inlet invert	Pass PIA2016-DH-1510-1052.01
8		Pass BES/N9902/PP/pp/04.235	Pass Range conformity according to S.R. 66:2015	Pass For wet ground conditions also, 1.15 m installation depth from inlet invert	Pass Cape AT 14-143
10		BES/N9902/PP/pp/04.235	Pass Range conformity according to S.R. 66:2015	Pass BES/N9902/PP/pp/0.09 2 For wet ground conditions also, 1.15 m installation depth from inlet invert	Pass Cape AT 14-143

Population equivalent (PE)	Drawing of model of the range	Watertightness (EN 12566-3 Annex A)	Treatment Efficiency (EN 12566-3 Annex B)	Structural Behaviour (EN 12566-3 Annex C)	Durability
12		BES/N9902/PP/pp/04.235	Pass Range conformity according to S.R. 66:2015	Pass BES/N9902 /PP/pp/0.09 2 For wet ground conditions also, 1.51 m installation depth from inlet invert	Pass Cape AT 14-143



REV	DATE	BY	CHKD	ISSUED FOR INFORMATION	6
B	05/04/17	LT	KB	MAJOR	6
DO NOT SCALE TOLERANCES UNLESS NOTED OTHERWISE IF IN DOUBT, ASK ALL DIMENSIONS IN MM					5
THIS DRAWING IS THE PROPERTY OF PREMIER TECH AQUA LTD. AND IS NOT TO BE COPIED OR PART OF WHOLE WITHOUT PERMISSION					4
PREMIER TECH AQUA					3
G.A. of Solido SMART Tank for Ireland Solido SMART Ireland					2
Stock Code: DE Approved by 06/04/2017 Checked by 06/04/2017 NF 06/04/2017					1

